

CHL



**2-3.5Ton**  
BALANCE WEIGHT TYPE  
FORKLIFT

**Standard configuration**

- |                         |                                             |
|-------------------------|---------------------------------------------|
| Fork                    | Control valve                               |
| Water temperature gauge | Transmission oil filter element             |
| Traction pin            | Backward buzzer                             |
| Backrest                | Transmission oil dipstick                   |
| Overhead guard          | Hydraulic oil return circuit filter element |
| Horn                    | Neutral gear safety switch                  |
| Reversing light         | Overhead guard rain cover                   |
| Hour meter              | Air inletting device                        |
| Oil lever gauge         | Durable tread tyre                          |
| Charging indicator      | Cable type parking brake                    |
| Tool                    | Hydraulic oil dipstick                      |
| Oil pressure alarm      | Preheating indicator                        |
| Steering indicator      | Wholly hydraulic powered steering           |
| Wide view mast          | Lifting oil circuit flow regulator          |
| Standard seat           | Lifting and tilting operation lever         |
| Front lamp              | Whirlwind air cleaner                       |
| Rear combined light     | Tilting adjustable steering column          |
| Pedal pad               | Engine automatic preheating system          |

**Optional Devices and Accessories**

- Driver's cab
- speedometer
- Fire extinguisher
- Solid tyre
- Rear working lamp
- Auxiliary pipeline
- Suspension seat
- Customer made color
- Transmission oil temperature gauge
- Warm air blower
- High air exhausting device
- Tilt cylinder jacket

**Optional attachments**

- String rod
- Lifting hook
- Side shifter
- Paper roll clamp
- Rotating fork
- Cargo boom
- Lengthening fork
- Multipurpose drum clamp
- Rotating flat clamp
- Widen fork arm carrier
- Lengthening fork extension
- Load stabilizer
- Load push pull
- tipping fork, tipping bucket
- Wide view free-lift mast (two-stage)
- Wide view free-lift mast (three-stage)

Manufacturer: **ANHUI HELI CO., LTD.**  
 NO.668 Fangxing Street, Economical Development Zone,  
 Hefei ,P.R.China  
 TEL:86-551-63639458  
 FAX:86-551-63639966  
 WEBSITE:HTTP://WWW.CHLFORKLIFT.COM  
 E-MAIL:CHL@CHLFORKLIFT.COM

AUTHORIZED DEALER

\* Details of specifications and equipment are based on information available at the time of printing and may change without notice.

© 2014 heli copyright

Catalog No.2014.01 HELI Print

CHL



**2-3.5 Ton**  
BALANCE WEIGHT TYPE  
FORKLIFT







BALANCE WEIGHT TYPE  
FORKLIFT

2-3.5 Ton

CHL

## Reliable forklift

Reliability is based on first-class manufacturing technology.

### Reliable special instrument



- ✓ Reasonable structure featuring integration of instrument and steering column to achieve good view.
- ✓ Easy control of working condition through kinds of alarm indicators on the meter such as water temperature, oil lever, hour meter and so on

### New steering handwheel adjusting mechanism



With patented technology of new steering handwheel adjusting mechanism improving operating comfort and adjusting reliability.

### wide view mast



High quality wide view mast ensuring operating safety and good view.

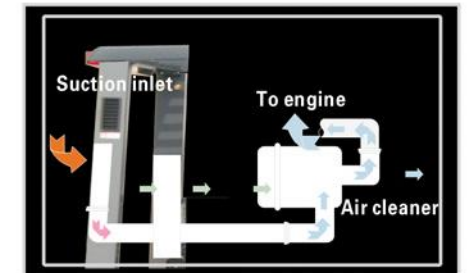
- ✓ High quality U-steel with patented technology
- ✓ Enlarged U-steel interface to achieve firm structure
- ✓ Wide view mast fitted as standard with good view

### Environment friendly design and easy maintenance

- ✓ Environment friendly engine meeting GB20891-2007 stage II.
- ✓ Installation of heat resistance and sound absorbing material and rubber sealing.
- ✓ Hood open angle increased to 80 contributing easy maintenance.
- ✓ Quick and convenient opening of hook lock.
- ✓ Gas spring with self lock function ensuring maintaining safety.



### Air intaking system



Air suction inlet installing on top of the overhead guard brace far away from the dust produced when travelling, cleaner air sucked prolonging engine service life.

### Reliable casting steering axle



- ✓ Compact structure, small deformation when loading.
- ✓ Shock absorber installed improving driving comfort.
- ✓ Dust proof and water proof structure increasing service life and reliability effectively.
- ✓ Low maintenance cost in later stage







**BALANCE WEIGHT TYPE  
FORKLIFT**

**2-3.5 Ton**



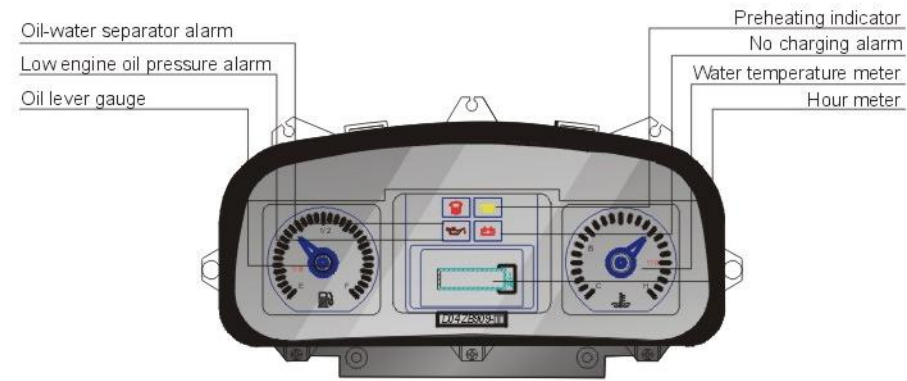
| Manufacturers Data and Design Characteristics |                                               |                  |                      |                                            |                              |                              |                 |                          |                          |                              |                              |                 |       |
|-----------------------------------------------|-----------------------------------------------|------------------|----------------------|--------------------------------------------|------------------------------|------------------------------|-----------------|--------------------------|--------------------------|------------------------------|------------------------------|-----------------|-------|
| Characteristics                               |                                               |                  |                      |                                            |                              |                              |                 |                          |                          |                              |                              |                 |       |
| 1                                             | Manufactory                                   |                  | ANHUI HEUI CO., LTD. |                                            |                              |                              |                 |                          |                          |                              |                              |                 |       |
| 2                                             | Model                                         |                  | CP(Q)Y25             | CP(Q)YD25                                  | CP(Q)Y30                     | CP(Q)YD30                    | CP(Q)Y35        | CP(Q)YD35                | CPCD20                   | CPCD25                       | CPCD30                       | CPCD35          |       |
| 3                                             | Power Type                                    |                  | Gasoline or LPG      |                                            |                              |                              |                 |                          | Diesel                   |                              |                              |                 |       |
| 4                                             | Rated Capacity                                | kg               | 2500                 | 3000                                       |                              | 3500                         |                 | 2000                     | 2500                     | 3000                         | 3500                         |                 |       |
| 5                                             | Load Center                                   | mm               | 500                  |                                            |                              |                              |                 |                          |                          |                              |                              |                 |       |
| 6                                             | Driving mode                                  |                  | Sit-on type          |                                            |                              |                              |                 |                          |                          |                              |                              |                 |       |
| Size                                          |                                               |                  |                      |                                            |                              |                              |                 |                          |                          |                              |                              |                 |       |
| 7                                             | Overall max. lifting height (with backrest)   | h4               | mm                   | 4030                                       | 4262                         |                              | 4262            |                          | 4030                     | 4030                         | 4262                         | 4262            |       |
| 8                                             | Max. Lifting height                           | h3               | mm                   | 3000                                       |                              |                              |                 |                          |                          |                              |                              |                 |       |
| 9                                             | Height mast retracted (upright)               | h1               | mm                   | 2000                                       | 2065                         |                              | 2180            |                          | 2000                     | 2000                         | 2065                         | 2180            |       |
| 10                                            | Free lift height                              | h2               | mm                   | 170                                        | 160                          |                              | 170             |                          | 170                      | 170                          | 160                          | 170             |       |
| 11                                            | Backrest height (from upper face of forks)    | h8               | mm                   | 995                                        | 1227                         |                              | 1222            |                          | 995                      | 995                          | 1227                         | 1222            |       |
| 12                                            | Overhead Guard clearance (from face of seat)  | h7               | mm                   | 1000                                       |                              |                              |                 |                          |                          |                              |                              |                 |       |
| 13                                            | Overall height (overhead guard)               | h6               | mm                   | 2170                                       | 2190                         |                              | 2190            |                          | 2170                     | 2170                         | 2190                         | 2190            |       |
| 14                                            | Overall length (without forks)                | (L1/L2)          | mm                   | 3646/2576                                  | 3752/2682                    |                              | 3763/2693       |                          | 3422/2502                | 3646/2576                    | 3752/2682                    | 3763/2693       |       |
| 15                                            | Front overhang                                | X                | mm                   | 477                                        | 479                          |                              | 498             |                          | 477                      | 477                          | 479                          | 498             |       |
| 16                                            | Rear overhang                                 | L4               | mm                   | 494                                        | 495                          |                              | 495             |                          | 420                      | 494                          | 495                          | 495             |       |
| 17                                            | Wheel base                                    | L5               | mm                   | 1600                                       | 1700                         |                              | 1700            |                          | 1600                     | 1600                         | 1700                         | 1700            |       |
| 18                                            | Coupler height                                | h5               | mm                   | 290                                        | 310                          |                              | 310             |                          | 290                      | 310                          | 310                          | 310             |       |
| 19                                            | Min. ground clearance under mast              | m1               | mm                   | 110                                        | 135                          |                              | 135             |                          | 110                      | 110                          | 135                          | 135             |       |
| 20                                            | Overall width                                 | B                | mm                   | 1170                                       | 1225                         |                              | 1225            |                          | 1170                     | 1170                         | 1225                         | 1225            |       |
| 21                                            | Lateral fork adjustment (Outside of fork)     | R                | mm                   | 1024/200                                   | 1060/250                     |                              | 1060/250        |                          | 1024/200                 | 1024/200                     | 1060/250                     | 1060/250        |       |
| 22                                            | Tread (front)                                 | (S/P)            | mm                   | 970/970                                    | 1000/970                     |                              | 1000/970        |                          | 970/970                  | 970/970                      | 1000/970                     | 1000/970        |       |
| 23                                            | Inside turning radius                         | Wa               | mm                   | 2240                                       | 2400                         |                              | 2420            |                          | 2170                     | 2240                         | 2400                         | 2420            |       |
| 24                                            | Outside turning radius                        | V                | mm                   | 160                                        | 200                          |                              | 200             |                          | 160                      | 160                          | 200                          | 200             |       |
| 25                                            | Min. intersecting aisle                       | Ra               | mm                   | 2280                                       | 2380                         |                              | 2400            |                          | 2200                     | 2280                         | 2380                         | 2400            |       |
| 26                                            | Tilting angles (forward/backward)             | $\alpha / \beta$ |                      | 6° / 12°                                   |                              |                              |                 |                          |                          | 6° / 12°                     |                              |                 |       |
| 27                                            | Fork Size                                     | a × b × c        | mm                   | 1070 × 122 × 40                            | 1070 × 125 × 45              |                              | 1070 × 125 × 50 |                          | 920 × 122 × 40           | 1070 × 122 × 40              | 1070 × 125 × 45              | 1070 × 125 × 50 |       |
| Performance                                   |                                               |                  |                      |                                            |                              |                              |                 |                          |                          |                              |                              |                 |       |
| 28                                            | Max. Traveling speeds (laden/unladen)         | km/h             |                      | 19/20                                      | 19/20                        |                              | 19/19           |                          | 18/19                    | 18/19                        | 19/20                        | 19/19           |       |
| 29                                            | Lifting Speeds (laden/unladen)                | mm/s             |                      | 490/530                                    | 450/500                      |                              | 340/380         |                          | 506/545                  | 506/545                      | 465/490                      | 370/400         |       |
| 30                                            | Lowering Speeds (laden/unladen)               | mm/s             |                      | 450/550                                    | 450/550                      |                              | 350/400         |                          | 450/550                  | 450/550                      | 450/550                      | 350/370         |       |
| 31                                            | Max. Draw-bar pull (laden/unladen)            | kN               |                      | 9.8/8.6                                    | 12/8.6                       | 13.5/9.8                     | 15/9.8          | 14/9.8                   | 17/9.8                   | 18.3/13.3                    | 18.3/13.3                    | 20/15.8         | 20/16 |
| 32                                            | Max. Negotiable Gradient (laden/unladen)      | %                |                      | 15/20                                      | 15/20                        | 17/20                        | 19/16.9         | 15/15                    | 14.5/15                  | 20/20                        | 20/20                        | 15/20           | 20/20 |
| Weight                                        |                                               |                  |                      |                                            |                              |                              |                 |                          |                          |                              |                              |                 |       |
| 33                                            | Service Mass                                  | kg               |                      | 3680                                       | 4270                         |                              | 4700            |                          | 3320                     | 3680                         | 4270                         | 4700            |       |
| 34                                            | Load Wheel. laden (Front/Rear)                | kg               |                      | 5562/618                                   | 6543/727                     |                              | 7380/820        |                          | 4788/532                 | 5562/618                     | 6543/727                     | 7380/820        |       |
| 35                                            | Load Wheel. unladen (Front/Rear)              | kg               |                      | 1472/2208                                  | 1708/2562                    |                              | 1880/2820       |                          | 1328/1992                | 1472/2208                    | 1708/2562                    | 1880/2820       |       |
| Tyres                                         |                                               |                  |                      |                                            |                              |                              |                 |                          |                          |                              |                              |                 |       |
| 36                                            | Wheel (Front/Rear) X=Driving Wheel            |                  |                      | 2X/2                                       |                              |                              |                 |                          |                          |                              |                              |                 |       |
| 37                                            | Tyre (Front/Rear)                             |                  |                      | Pneumatic tyre                             |                              |                              |                 |                          |                          |                              |                              |                 |       |
| 38                                            | Tyre size (Front/Rear)                        |                  |                      | 7.00-12-12PR/6.00-9-10PR                   | 28 × 9-15-12PR/ 6.50-10-10PR | 28 × 9-15-14PR/ 6.50-10-10PR |                 | 7.00-12-12PR/6.00-9-10PR | 7.00-12-12PR/6.00-9-10PR | 28 × 9-15-12PR/ 6.50-10-10PR | 28 × 9-15-14PR/ 6.50-10-10PR |                 |       |
| 39                                            | Service Brake                                 |                  |                      | Hydraulic-Foot Pedal                       |                              |                              |                 |                          |                          |                              |                              |                 |       |
| 40                                            | Parking Brake                                 |                  |                      | Mechanical-Hand Lever                      |                              |                              |                 |                          |                          |                              |                              |                 |       |
| Drive and transmission control device         |                                               |                  |                      |                                            |                              |                              |                 |                          |                          |                              |                              |                 |       |
| 41                                            | Battery Voltage/Capacity                      | V/Ah             |                      | 12/80                                      |                              |                              |                 |                          |                          |                              |                              |                 |       |
| 42                                            | Internal Combustion Engine Model              |                  |                      | NISSAN K25                                 |                              |                              |                 | ISUZU C240PKJ            |                          |                              |                              | ISUZU 4JG2      |       |
| 43                                            | Internal Combustion Engine Rated Output       | kW/rpm           |                      | 37.6/2400                                  |                              |                              |                 | 35.4/2500                |                          |                              |                              | 44.9/2450       |       |
| 44                                            | Internal Combustion Engine Rated Torque       | Nm/rpm           |                      | 176.5/1600                                 |                              |                              |                 | 139/1800                 |                          |                              |                              | 186.3/1600~1800 |       |
| 45                                            | Internal Combustion Engine Number of Cylinder |                  |                      | 4-89 × 100                                 |                              |                              |                 | 4-86 × 102               |                          |                              |                              | 4-95.4 × 107    |       |
| 46                                            | Internal Combustion Engine Displacement       | L                |                      | 2.488                                      |                              |                              |                 | 2.369                    |                          |                              |                              | 3.059           |       |
| 47                                            | Internal Combustion Engine Fuel Tank Capacity | L                |                      | 60                                         |                              |                              |                 |                          |                          |                              |                              |                 |       |
| 48                                            | Transmission Number of Speed Fwd/Bwd type     |                  |                      | 1-1 Power Shift T/M / 2-2 Manual Shift T/M |                              |                              |                 |                          |                          |                              |                              |                 |       |



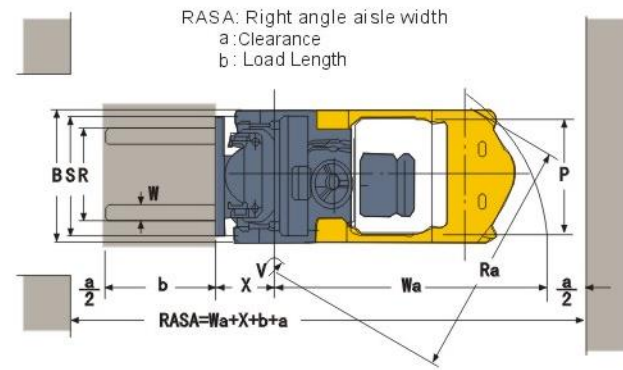
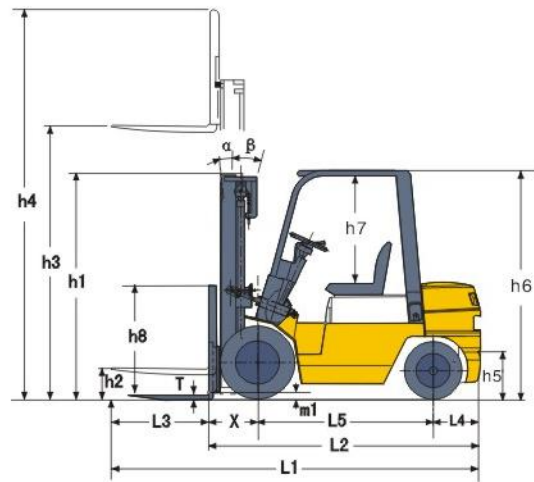
### Engine Model and Main Specification for Option

| Internal Combustion Engine Model | Internal Combustion Engine Rate horse power ( kW/rpm ) | Internal Combustion Engine Rate torque ( Nm/rpm ) | Internal Combustion Engine isplacement(L) | Internal Combustion Engine Number of Clinder |
|----------------------------------|--------------------------------------------------------|---------------------------------------------------|-------------------------------------------|----------------------------------------------|
| XIN CHNAG A490                   | 36.8/2650                                              | 148/1800-1900                                     | 2.54                                      | 4                                            |
| XIN CHANG A498(EU IIIA)          | 45/2500                                                | 193/1800                                          | 3.168                                     | 4                                            |
| XIN CHANG C490BGP-200            | 40/2650                                                | 160/1800~2000                                     | 2.67                                      | 4                                            |
| NISSAN K21                       | 31.2/2250                                              | 143.7/1600                                        | 2.065                                     | 4                                            |

### Meter function diagram



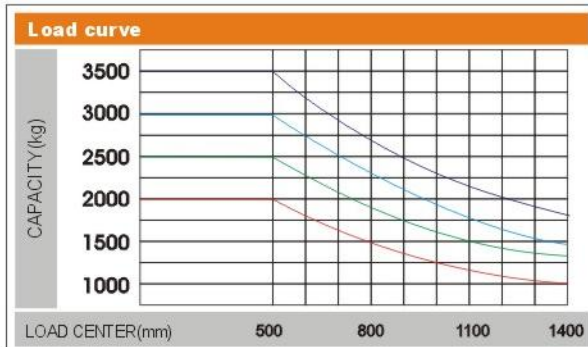
- ✓ Stepping motor core
- ✓ Fit CE electric safety standard
- ✓ Programmable digitization meter
- ✓ Protection degree IP54
- ✓ Loading output port expanding meter function



CPC35/CPCD35  
CPC25/CPCD25

CPC30/CPCD30  
CPC20/CPCD20

Note:  
Vertical axle stands for load capacity while horizontal axle stands for load center. Load center is the distance counted from the front of the fork. The base point of the standard load is the center point of the cubic with the same 1000mm dimension in length, width and height. The load capacity should be down, if mast tilts forward, using non-standard forks or loading goods with extra width. Please notice the different load capacity between different load centers according to load chart.



### 2-3.5t WIDE VIEW MAST

| Mast type | Max. Lifting height (mm) | Loading capacity (load center 500mm) (kg) |               |               |               | Mast overall height C (mm) |      |      | Mast tilt angle Forward/Backward | Service weight (kg) |              |              |              |
|-----------|--------------------------|-------------------------------------------|---------------|---------------|---------------|----------------------------|------|------|----------------------------------|---------------------|--------------|--------------|--------------|
|           |                          | CPC20/CPCD20                              | CPC25/CPCD25  | CPC30/CPCD30  | CPC35/CPCD35  | 2-2.5t                     | 3t   | 3.5t |                                  | CPC20/CPCD20        | CPC25/CPCD25 | CPC30/CPCD30 | CPC35/CPCD35 |
| M200      | 2000                     | 2000                                      | 2500          | 3000          | 3500          | 1500                       | 1570 | 1680 | 6-12                             | 3235                | 3595         | 4180         | 4600         |
| M250      | 2500                     | 2000                                      | 2500          | 3000          | 3500          | 1750                       | 1820 | 1930 | 6-12                             | 3280                | 3640         | 4235         | 4650         |
| M300      | 3000                     | 2000                                      | 2500          | 3000          | 3500          | 2000                       | 2070 | 2180 | 6-12                             | 3320                | 3680         | 4270         | 4700         |
| M330      | 3300                     | 2000                                      | 2500          | 3000          | 3500          | 2150                       | 2220 | 2330 | 6-12                             | 3350                | 3708         | 4295         | 4730         |
| M350      | 3500                     | 2000                                      | 2500          | 3000          | 3500          | 2250                       | 2320 | 2430 | 6-12                             | 3365                | 3725         | 4320         | 4750         |
| M370      | 3700                     | 2000                                      | 2500          | 3000          | 3500          | 2350                       | 2420 | 2530 | 6-6<br>6-12                      | 3385                | 3745         | 4330         | 4770         |
| M400      | 4000                     | 2000                                      | 2500          | 3000          | 3500          | 2550                       | 2620 | 2730 | 6-6<br>6-12                      | 3450                | 3810         | 4390         | 4840         |
| M425      | 4250                     | 1900<br>*2000                             | 2250<br>*2500 | 2850<br>*3000 | 3100<br>*3200 | 2675                       | 2745 | 2855 | 6-6<br>6-12                      | 3470                | 3830         | 4410         | 4870         |
| M450      | 4500                     | 1800<br>*1900                             | 2150<br>*2400 | 2750<br>*3000 | 3000<br>*3050 | 2800                       | 2870 | 2980 | 6-6<br>6-12                      | 3490                | 3850         | 4435         | 4890         |
| M500      | 5000                     | 1600<br>*1700                             | 1650<br>*2200 | 2400<br>*2850 | 2500<br>*2850 | 3050                       | 3120 | 3230 | 6-6<br>6-6                       | 3535                | 3895         | 4475         | 4940         |
| M550      | 5500                     | *1600                                     | *1950         | *2400         | *2500         | 3350                       | 3420 | 3530 | *3-6                             | 3730                | 4085         | 4645         | 5145         |
| M600      | 6000                     | *1500                                     | *1800         | *2200         | *2300         | 3600                       | 3670 | 3780 | *3-6                             | 3770                | 4130         | 4695         | 5185         |

Note: (1) Service weight in the table is the weight of truck installed with double-tyre. +110kg.  
(2) \*means the loading capacity when front tyre is double-tyre.  
(3) Max. lifting height with backrest: +580mm.

### 2-3.5t WIDE VIEW FULL FREE 2-STAGE MAST

| Mast type | Max. Lifting height (mm) | Loading capacity (load center 500mm) (kg) |               |               |               | Mast overall height C (mm) |      |      | Free lift (with backrest) |      |      | Mast tilt angle Forward/Backward | Service weight (kg) |              |              |              |
|-----------|--------------------------|-------------------------------------------|---------------|---------------|---------------|----------------------------|------|------|---------------------------|------|------|----------------------------------|---------------------|--------------|--------------|--------------|
|           |                          | CPC20/CPCD20                              | CPC25/CPCD25  | CPC30/CPCD30  | CPC35/CPCD35  | 2-2.5t                     | 3t   | 3.5t | 2-2.5t                    | 3t   | 3.5t |                                  | CPC20/CPCD20        | CPC25/CPCD25 | CPC30/CPCD30 | CPC35/CPCD35 |
| ZM200     | 2000                     | 2000                                      | 2500          | 3000          | 3500          | 1495                       | 1570 | 1680 | 495                       | 350  | 560  | 6-12                             | 3285                | 3645         | 4230         | 4670         |
| ZM250     | 2500                     | 2000                                      | 2500          | 3000          | 3500          | 1745                       | 1820 | 1930 | 745                       | 600  | 710  | 6-12                             | 3330                | 3690         | 4270         | 4720         |
| ZM300     | 3000                     | 2000                                      | 2500          | 3000          | 3500          | 1995                       | 2070 | 2180 | 995                       | 850  | 960  | 6-12                             | 3370                | 3730         | 4320         | 4770         |
| ZM330     | 3300                     | 2000                                      | 2500          | 3000          | 3500          | 2145                       | 2220 | 2330 | 1145                      | 1000 | 1100 | 6-12                             | 3400                | 3760         | 4345         | 4795         |
| ZM350     | 3500                     | 2000                                      | 2500          | 3000          | 3500          | 2245                       | 2320 | 2430 | 1245                      | 1100 | 1210 | 6-6<br>6-12                      | 3415                | 3775         | 4365         | 4815         |
| ZM370     | 3700                     | 2000                                      | 2500          | 3000          | 3500          | 2370                       | 2420 | 2530 | 1370                      | 1225 | 1335 | 6-6<br>6-12                      | 3430                | 3790         | 4380         | 4835         |
| ZM400     | 4000                     | 2000                                      | 2500          | 2500          | 3200<br>*3500 | 2545                       | 2620 | 2730 | 1545                      | 1400 | 1510 | 6-6<br>6-12                      | 3495                | 3855         | 4450         | 4900         |
| ZM425     | 4250                     | 1900<br>*2000                             | 2250<br>*2500 | 2850<br>*3000 | 3100<br>*3200 | 2670                       | 2745 | 2855 | 1670                      | 1525 | 1635 | 6-6<br>6-12                      | 3515                | 3875         | 4475         | 4925         |
| ZM450     | 4500                     | 1800<br>*1900                             | 2150<br>*2400 | 2750<br>*3000 | 3000<br>*3050 | 2795                       | 2870 | 2980 | 1795                      | 1650 | 1760 | 6-6<br>6-6                       | 3540                | 3900         | 4495         | 4950         |
| ZM500     | 5000                     | 1600<br>*1700                             | 1650<br>*2200 | 2400<br>*2850 | 2500<br>*2850 | 3045                       | 3120 | 3230 | 2045                      | 1920 | 2010 | *3-6                             | 3580                | 3940         | 4540         | 5000         |
| ZM550     | 5500                     | *1600                                     | *1950         | *2450         | *2500         | 3345                       | 3420 | 3530 | 2345                      | 2200 | 2310 | *3-6                             | 3770                | 4130         | 4730         | 5195         |
| ZM600     | 6000                     | *1500                                     | *1800         | *2200         | *2300         | 3595                       | 3670 | 3780 | 2595                      | 2450 | 2560 | *3-6                             | 3815                | 4175         | 4775         | 5250         |

Note: (1) free lifting height of 2-2.5t forklift truck (without backrest): +435mm  
free lifting height of 3-3.5t forklift truck (without backrest): +580mm  
(2) Service weight in the table is the weight of truck installed with double-tyre. +110kg  
(3) \*means the loading capacity when front tyre is double-tyre.

### 2-3.5t WIDE VIEW FULL FREE 3-STAGE MAST

| Mast type | Max. Lifting height (mm) | Loading capacity (load center 500mm) (kg) |               |               |               | Mast overall height C (mm) |      |      | Free lift (with backrest) |      |      | Mast tilt angle Forward/Backward | Service weight (kg) |              |              |              |
|-----------|--------------------------|-------------------------------------------|---------------|---------------|---------------|----------------------------|------|------|---------------------------|------|------|----------------------------------|---------------------|--------------|--------------|--------------|
|           |                          | CPC20/CPCD20                              | CPC25/CPCD25  | CPC30/CPCD30  | CPC35/CPCD35  | 2-2.5t                     | 3t   | 3.5t | 2-2.5t                    | 3t   | 3.5t |                                  | CPC20/CPCD20        | CPC25/CPCD25 | CPC30/CPCD30 | CPC35/CPCD35 |
| ZSM360    | 3600                     | 2000                                      | 2400          | 2900          | 3300          | 1795                       | 1946 | 1985 | 755                       | 670  | 710  | 6-6<br>6-6                       | 3540                | 3900         | 4510         | 4825         |
| ZSM400    | 4000                     | 1900                                      | 2400          | 2900          | 3300          | 1920                       | 2065 | 2115 | 880                       | 795  | 845  | 6-6<br>6-6                       | 3570                | 3930         | 4540         | 4855         |
| ZSM435    | 4350                     | 1850<br>*1900                             | 2200<br>*2400 | 2800<br>*2900 | 2900<br>*3000 | 2045                       | 2190 | 2240 | 1005                      | 920  | 970  | 6-6<br>6-6                       | 3600                | 3960         | 4565         | 4880         |
| ZSM450    | 4500                     | 1750<br>*1800                             | 2150<br>*2300 | 2700<br>*2800 | 2800<br>*2900 | 2095                       | 2240 | 2340 | 1055                      | 970  | 1070 | 6-6<br>6-6                       | 3610                | 3970         | 4580         | 4895         |
| ZSM470    | 4700                     | 1720<br>*1800                             | 2000<br>*2300 | 2600<br>*2800 | --            | 2160                       | 2240 | --   | 1120                      | 970  | --   | 6-6<br>6-6                       | 3625                | 3985         | 4600         | 4915         |
| ZSM480    | 4800                     | 1700<br>*1800                             | 1950<br>*2300 | 2500<br>*2800 | 2600<br>*2900 | 2195                       | 2340 | 2440 | 1155                      | 1070 | 1170 | 6-6<br>6-6                       | 3630                | 3990         | 4620         | 4935         |
| ZSM500    | 5000                     | 1600<br>*1750                             | 1650<br>*2250 | 2400<br>*2750 | 2450<br>*2850 | 2295                       | 2440 | 2565 | 1255                      | 1170 | 1295 | 6-6<br>6-6                       | 3655                | 4015         | 4645         | 4960         |
| ZSM540    | 5400                     | 1450<br>*1700                             | 1500<br>*2150 | 2250<br>*2650 | 2300<br>*2700 | 2420                       | 2565 | 2665 | 1380                      | 1295 | 1395 | 3-6<br>3-6                       | 3685                | 4045         | 4675         | 4990         |
| ZSM600    | 6000                     | 950<br>*1600                              | 1000<br>*1800 | 1500<br>*2100 | 1550<br>*2200 | 2645                       | 2790 | 2885 | 1605                      | 1520 | 1615 | 3-6<br>3-6                       | 3765                | 4125         | 4765         | 5080         |

Note: (1) free lifting height of 2-2.5t forklift truck (without backrest): +435mm  
free lifting height of 3-3.5t forklift truck (without backrest): +580mm  
(2) Service weight in the table is the weight of truck installed with double-tyre. +110kg  
(3) \*means the loading capacity when front tyre is double-tyre.